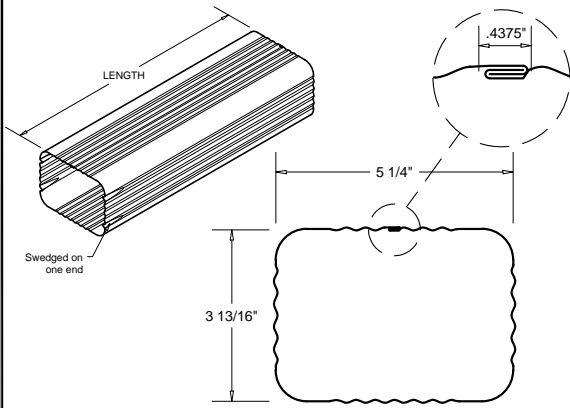


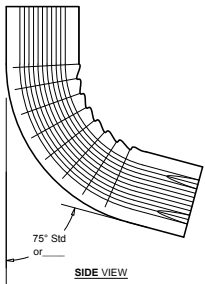
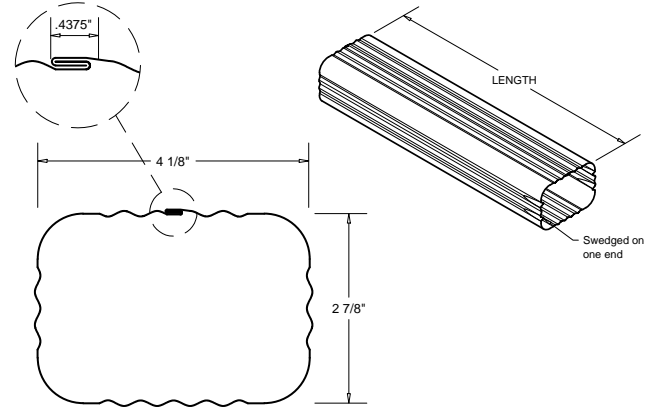
# CORRUGATED DOWNSPOUT + ACCESSORIES

## 4 X 5 DOWNSPOUT

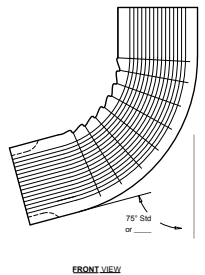


A STYLE ELBOW

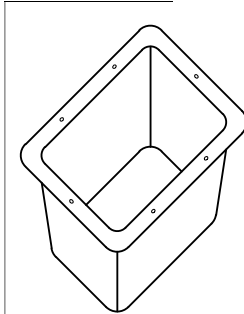
## 3 X 4 DOWNSPOUT



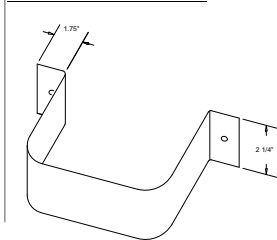
B STYLE ELBOW



### STAMPED OUTLETS

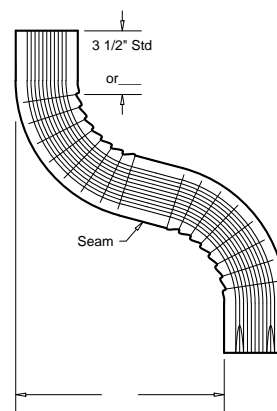


### DOWNSPOUT STRAPS

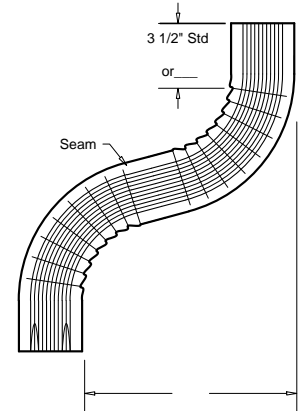


### ONE-PIECE OFFSETS

#### "DOWN" STYLE (LEDGE)



#### "UP" STYLE (EAVE)



### MATERIAL

24GA STEEL  
26GA STEEL

.032 ALUMINUM

### COLOR

### QUANTITIES

\_\_\_\_ TOTAL FEET OF DOWNSPOUT      \_\_\_\_ REQUESTED LENGTH PER PIECE

\_\_\_\_ OUTLET TUBES

\_\_\_\_ ELBOWS (STD. 75°)

STYLE A: \_\_\_\_      STYLE B: \_\_\_\_       LEFT TURN  
 RIGHT TURN

\_\_\_\_ ELBOWS (CUSTOM DEGREE) \_\_\_\_ °

STYLE A: \_\_\_\_      STYLE B: \_\_\_\_       LEFT TURN  
 RIGHT TURN

\_\_\_\_ ONE-PIECE OFFSETS \_\_\_\_ " OFFSET AMOUNT

STYLE A: \_\_\_\_       EAVE       LEFT TURN  
 LEDGE      STYLE B: \_\_\_\_       RIGHT TURN

\_\_\_\_ STRAPS (STANDARD =2 PER 10' DOWNSPOUT)

### PRINT APPROVED BY:

(SIGNATURE)

(DATE)

A SIGNED PRINT APPROVAL SIGNIFIES A CUSTOMER HAS VERIFIED ALL DIMENSIONS, SIZES, QUANTITIES, AND MATERIAL TYPES.

FABRICATION WILL PROCEED ONLY AFTER RECEIPT OF SIGNED PRINT APPROVAL



<https://store.gulfcoastsupply.com/>

Telephone: 352-498-0778